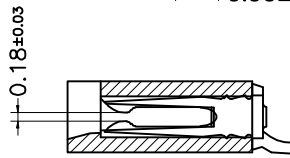
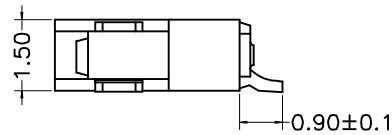
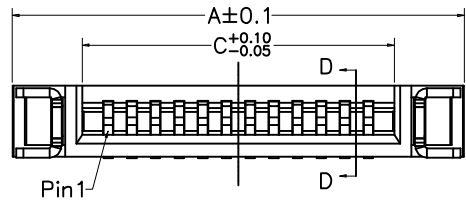


Recommended P.C.B Layout

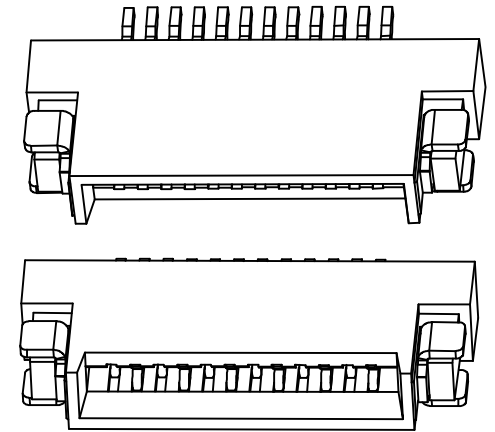
Recommended Applicable FPC



SECTION D-D

Electrical Characteristics:  
 Current rating: 0.5A AC/DC  
 Voltage rating: 50V AC/DC  
 Temperature range: -25°C~+85°C  
 Withstand Voltage: 200V AC/Minute  
 Contact Resistance: ≤ 20mΩ  
 Insulation resistance: ≥ 500MΩ  
 Relative Humidity: 93%+40°C

Material Description:  
 Contact: BRASS T=0.20  
 Solder Pad: BRASS T=0.20  
 Housing: LCP UL94-V0



Part No.	Dimension			Part No.	Dimension		
	A	B	C		A	B	C
4P	5.53	1.5	2.57	33P	20.03	16.0	17.07
5P	6.03	2.0	3.07	34P	20.53	16.5	17.57
6P	6.53	2.5	3.57	35P	21.03	17.0	18.07
7P	7.03	3.0	4.07	36P	21.53	17.5	18.57
8P	7.53	3.5	4.57	37P	22.03	18.0	19.07
9P	8.03	4.0	5.07	38P	22.53	18.5	19.57
10P	8.53	4.5	5.57	39P	23.03	19.0	20.07
11P	9.03	5.0	6.07	40P	23.53	19.5	20.57
12P	9.53	5.5	6.57	41P	24.03	20.0	21.07
13P	10.03	6.0	7.07	42P	24.53	20.5	21.57
14P	10.53	6.5	7.57	43P	25.03	21.0	22.07
15P	11.03	7.0	8.07	44P	25.53	21.5	22.57
16P	11.53	7.5	8.57	45P	26.03	22.0	23.07
17P	12.03	8.0	9.07	46P	26.53	22.5	23.57
18P	12.53	8.5	9.57	47P	27.03	23.0	24.07
19P	13.03	9.0	10.07	48P	27.53	23.5	24.57
20P	13.53	9.5	10.57	49P	28.03	24.0	25.07
21P	14.03	10.0	11.07	50P	28.53	24.5	25.57
22P	14.53	10.5	11.57	51P	29.03	25.0	26.07
23P	15.03	11.0	12.07	52P	29.53	25.5	26.57
24P	15.53	11.5	12.57	53P	30.03	26.0	27.07
25P	16.03	12.0	13.07	54P	30.53	26.5	27.57
26P	16.53	12.5	13.57	55P	31.03	27.0	28.07
27P	17.03	13.0	14.07	56P	31.53	27.5	28.57
28P	17.53	13.5	14.57	57P	32.03	28.0	29.07
29P	18.03	14.0	15.07	58P	32.53	28.5	29.57
30P	18.53	14.5	15.57	59P	33.03	29.0	30.07
31P	19.03	15.0	16.07	60P	33.53	29.5	30.57
32P	19.53	15.5	16.57				

ORDER INFORMATION

SERIES NO. 831D — Pin no. XX — CONTACT FINISH PT — PACKAGE X — 42  
 0.5P N-ZIF FPC SMT RA 1.5H Dual contact connector series 04~60 pin PT : Tin Plated 1: Tube 2: Tape Reel

RoHS Compliant

REV.	REVISION RECORD	DATE	General Tolerances		
			LINEAR	0.0 ±0.35	ANGLES ±3°
A	Original	01/05/09'		UNIT: mm	
B	Revised	02/24/10'		A4	NAME
C	Revised	11/24/12'	APPROVED	MARTIN	
D	Revised	10/18/18'	DESIGNER	MERLIN	
			DRAWN	RUBY	

**ARIBA** TECHNOLOGY CO., LTD.  
 TITLE: 0.5mm NON-ZIF FPC SMT R/A 1.5H Dual contact connector  
 DWG.NO.: 831DXXPTX-42 REV. D  
 SCALE 1 : 1 SHEET 1 OF 1